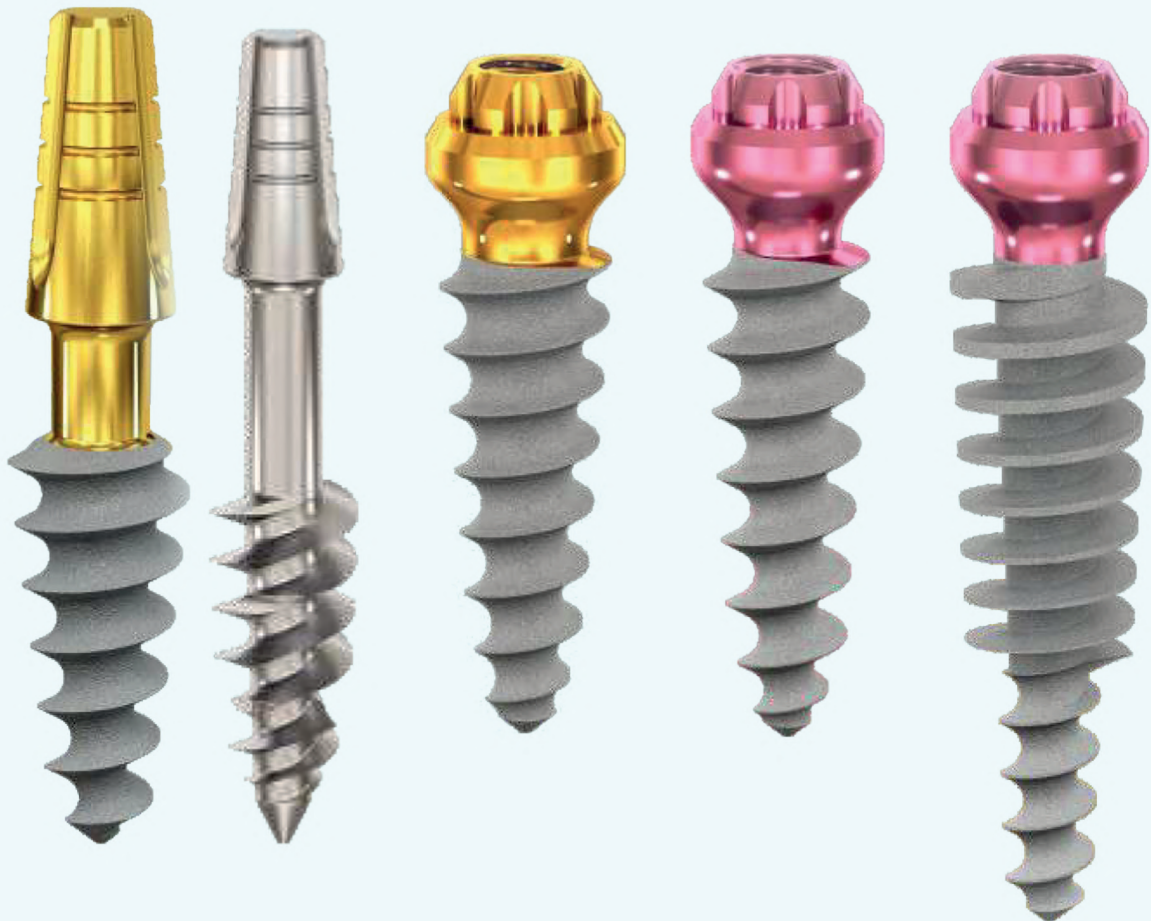


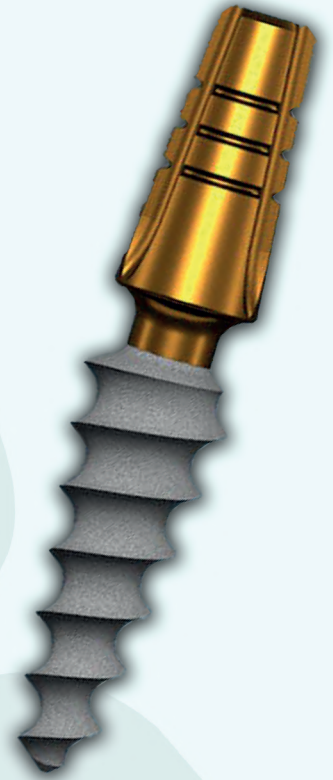
# ABS

implant  
Tech



# contents

- Vision and mission
- Compressive Implants
- Compressive Implants Sizes
- Important Features In ABS Implants
- Titanium caps
- Burnout Parts
- Transfer&Analogues
- Basal Implants
- One Platform Multi-Unit Implant
- Clinical Cases
- Contact Information



# Our vision and mission

## Vision

Delivering innovative dental implants products solution to improve oral health and smile worldwide

## mission

Bring inspiration and innovation to every dentist in the world



# What are Compressive implants ?

## Compressive implants:

The Compressive implant is a one-piece implant with compressive threads. It is used for multiple unit restorations with immediate loading in the upper and lower jaws with adequate bone tissue. It can be used in combination with basal implants and allows flap and flapless placement. Abutment direction can be adjusted up to 25° relative to the implant axis.

- Ideal for resorbed ridges
- Immediate loading
- Placement in the socket of an extracted tooth
- Excellent protection from inflammation around the implant
- Abutment adjustment angle up to 25°



# Compressive Implant

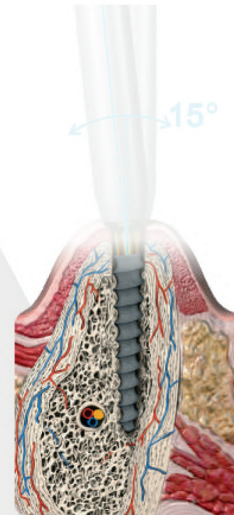
## Wide range of sizes

From short and wide to thin and long



## Bendable neck

Depending on the length of the implant the abutment can be bent up to 25 degrees, as long as the implant is placed with high primary stability



## Variety of prosthetic solutions

From cemented fixation and burn-out angulated caps to telescopic caps with screwed retention and CAD-CAM solutions on multiunit platforms.



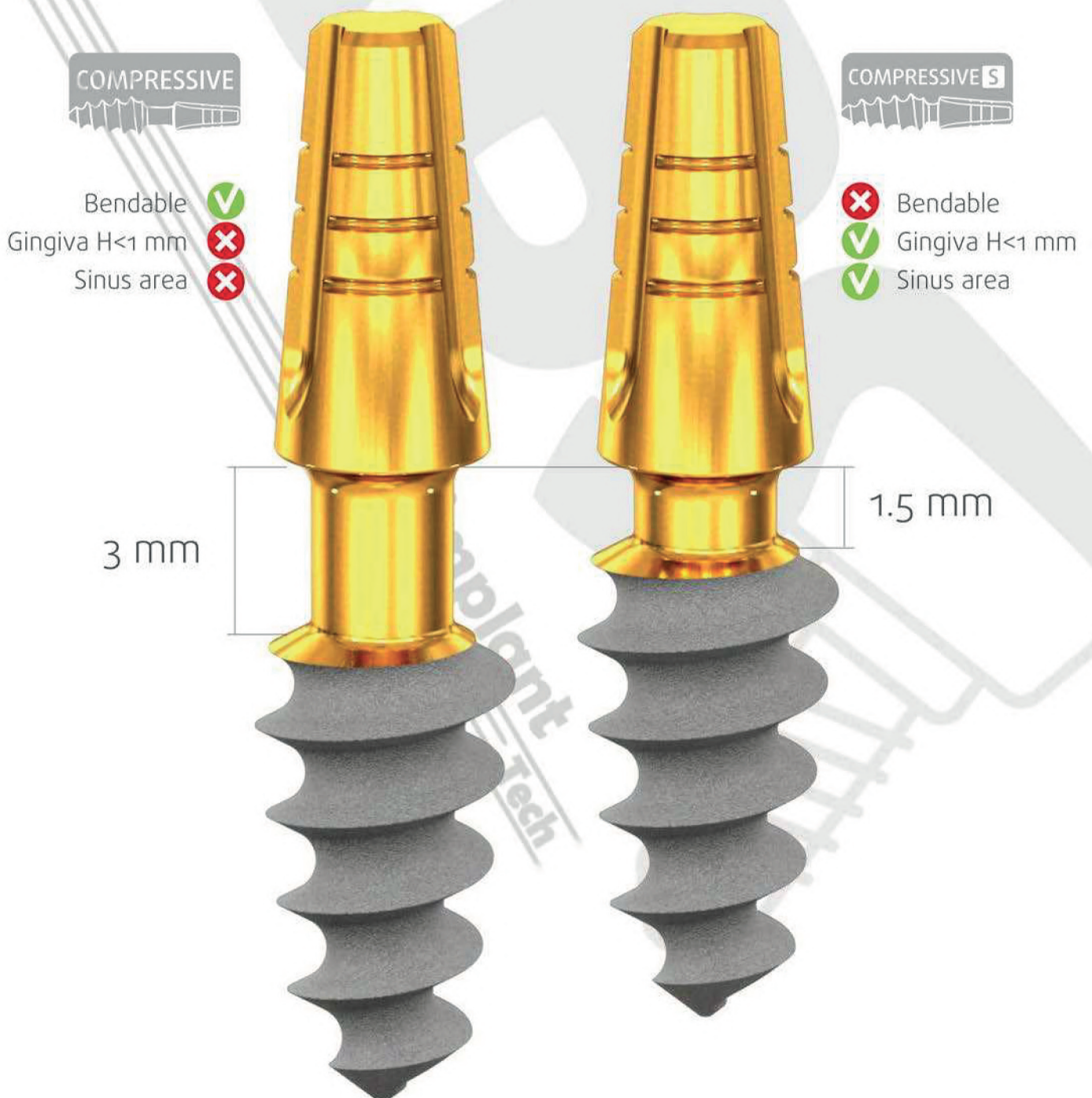
## Smart instrument sets

FILO Instrument set for minimal invasive surgery and ESBIPRO kit for bone ridge splitting



# Sizes and standards

## Compressive implants with short neck



# Sizes and standards

Ø 3.0

oi 2.05  
n 2.05

Ø 3.5

oi 2.46  
n 2.05

Ø 4.0

oi 2.95  
n 2.05

Ø 4.5

oi 3.05  
n 2.35

Ø 5.0

oi 3.55  
n 2.35

Ø 5.5

oi 4.04  
n 2.55

L 6  
mm



L 8  
mm



L 10  
mm



L 12  
mm



L 14  
mm



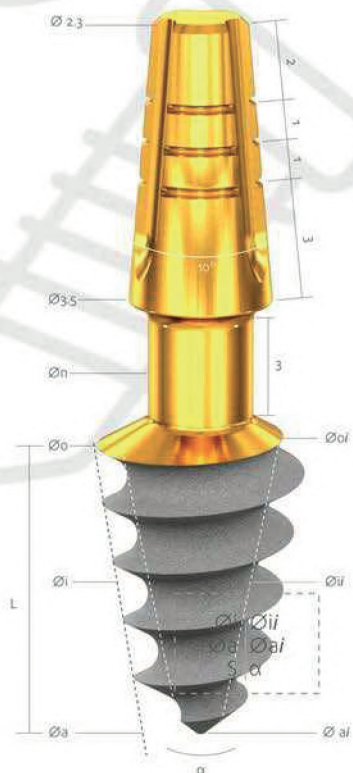
L 16  
mm



L 18  
mm



L 20  
mm



# The most important features

1

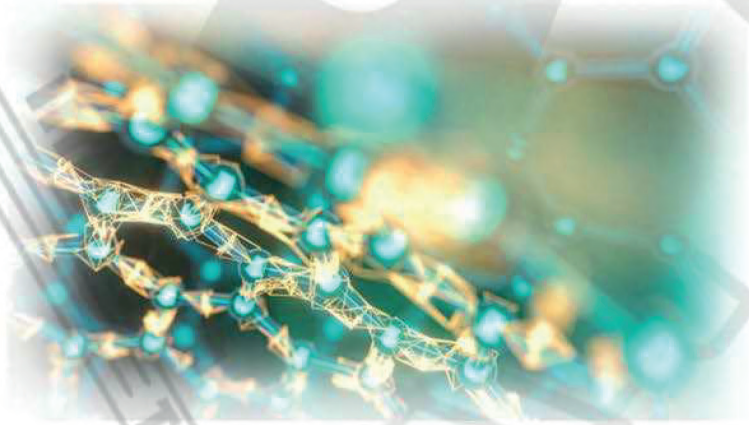
Our Implants are made by Titanium Grade 5



New Basal SS - Super Safe implant

2

Nanotechnology used in the production of implants, which helps in Osseointegration process.



3

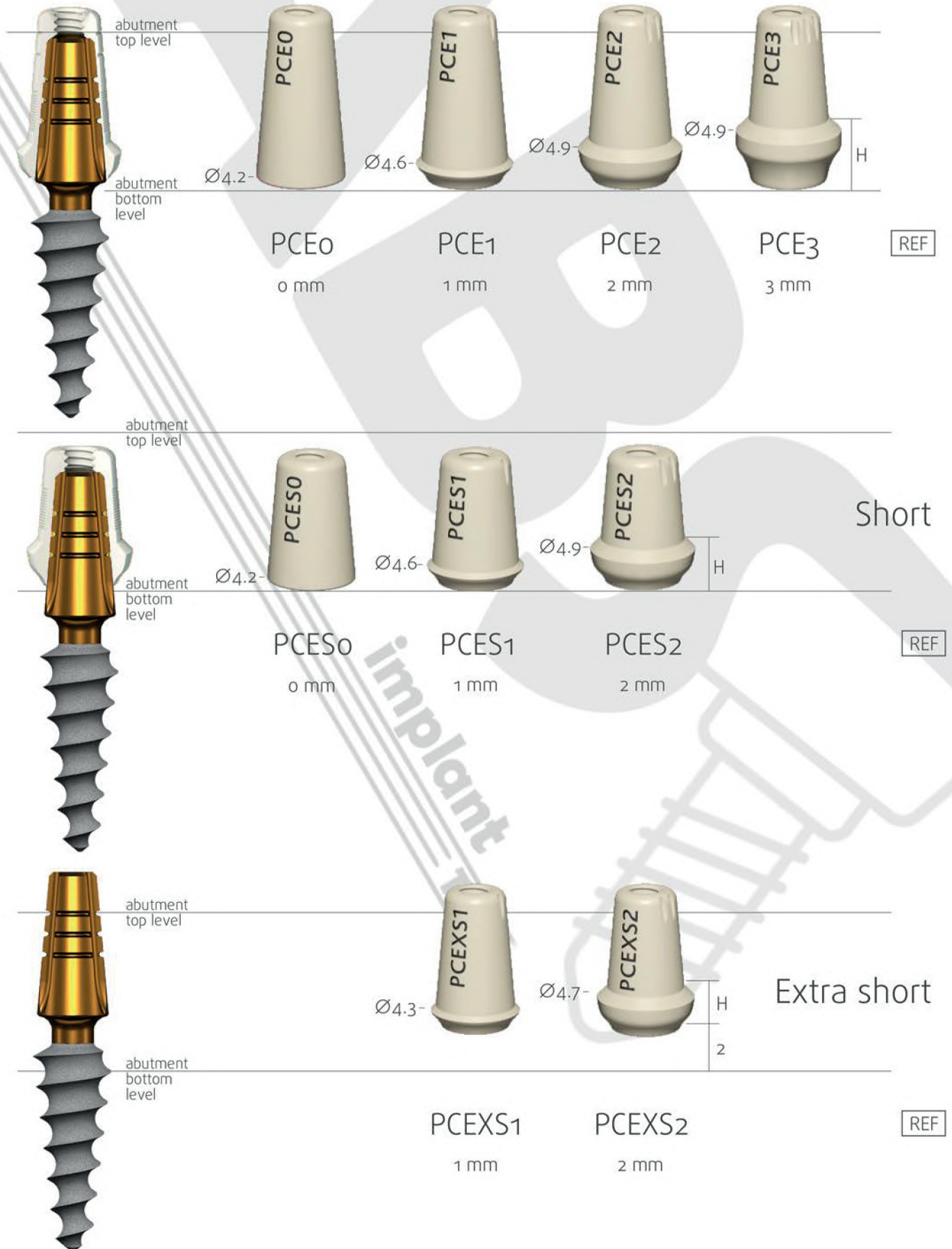
gamma and ozone sterilization





# Sizes and standards

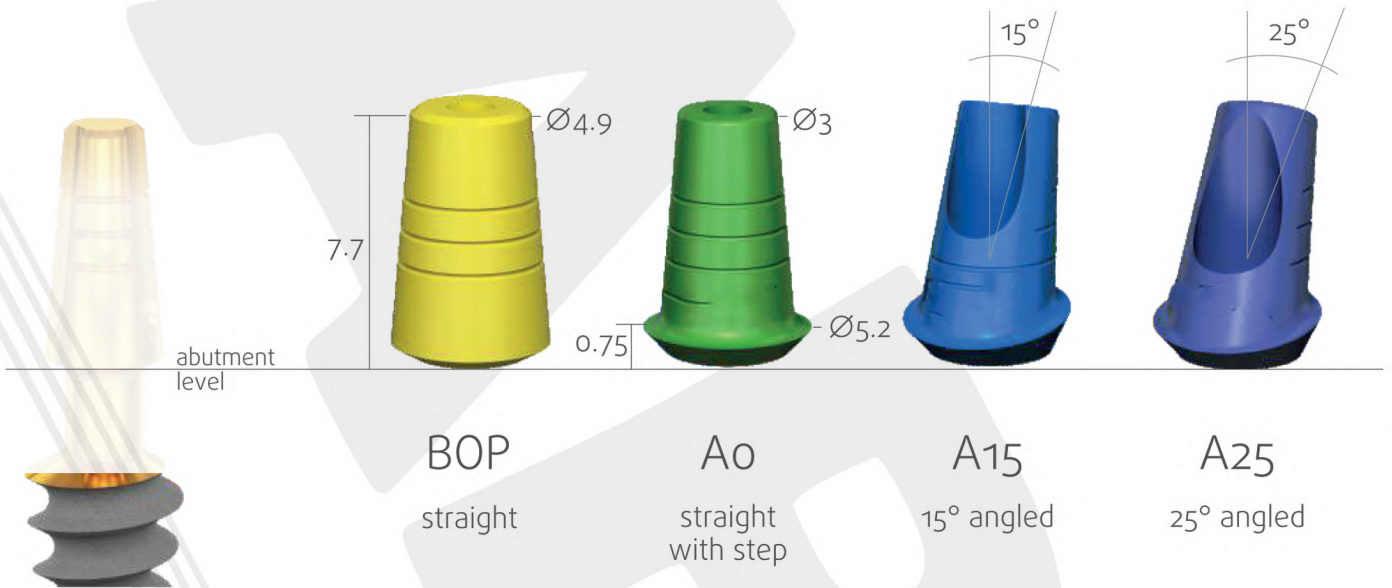
## PEEK caps



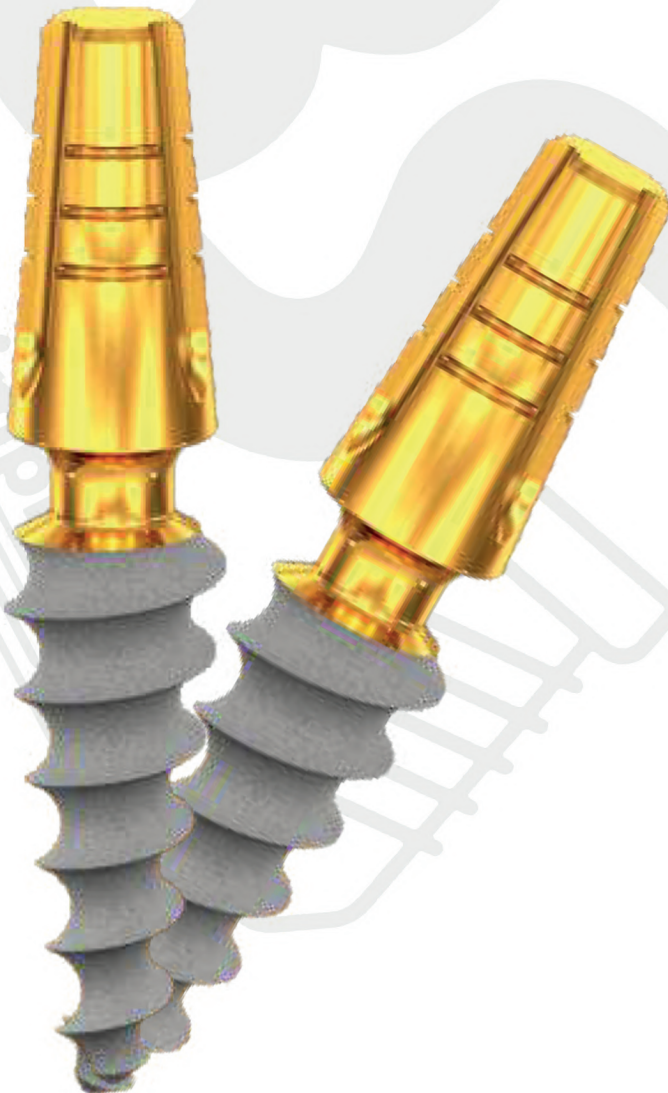
# Titanium caps



# Burnout parts

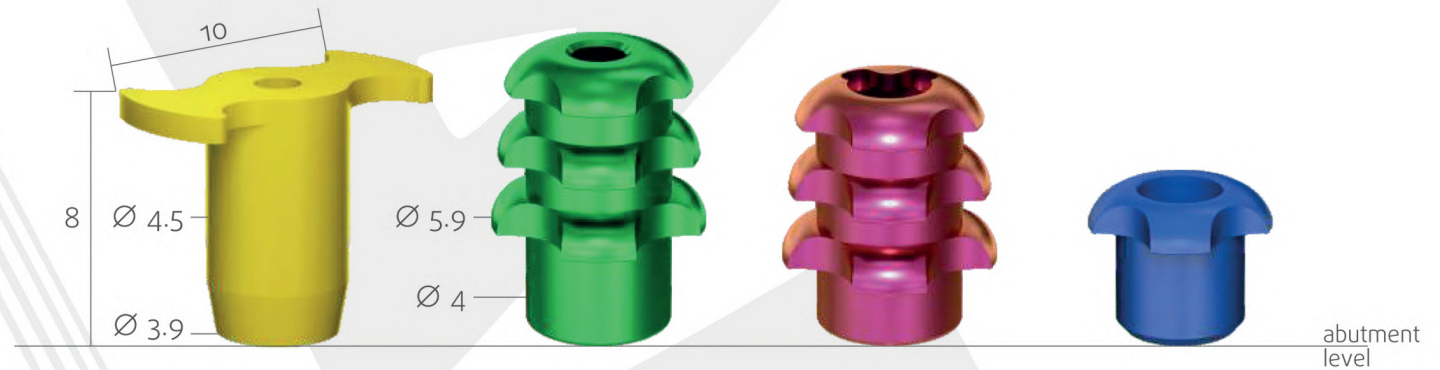


REF



# External platform

## Transfers



REF

TRA

Plastic  
Rotational

TOE

Titanium  
Rotational

TOEA

Titanium  
Anti-Rotational

TOES

Titanium  
Rotational  
Short

## Analogue



REF

ANA

Plastic  
Rotational

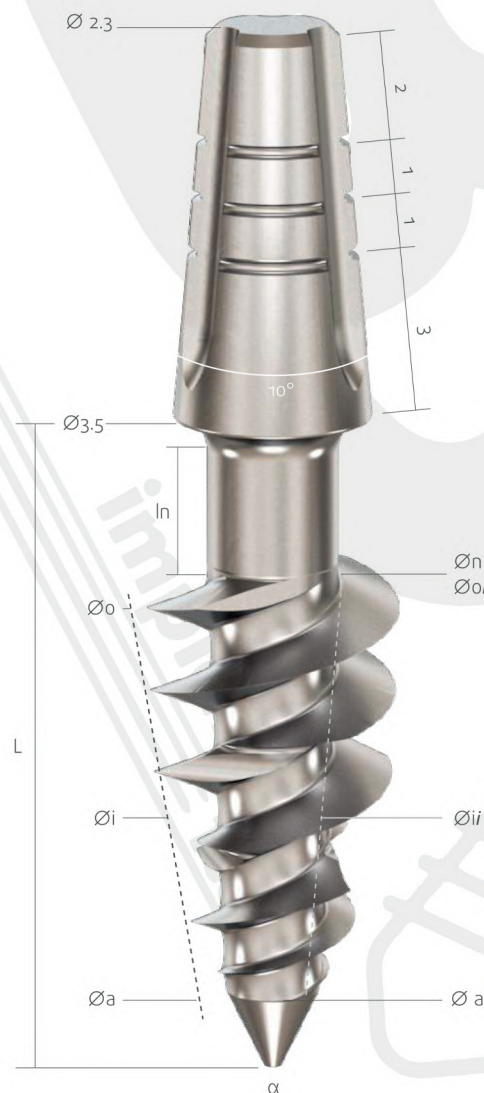
ANE

Titanium  
Anti-Rotational

# BASAL Implants


























## BASAL implants

BASAL implants are used to create multiple unit restorations in the upper and lower jaws. Can be placed in extraction sockets and in healed bone. The structural characteristics allow placement in height and width deficient bones. Can be placed with flap or flapless technique. Can be used to bypass the mandibular nerve, and for engagement of the cortical bone at the fusion of the pterygoid with the maxilla. Can be used in combination with compressive implants. Can be adjusted up to  $25^\circ$  relative to the implant axis.

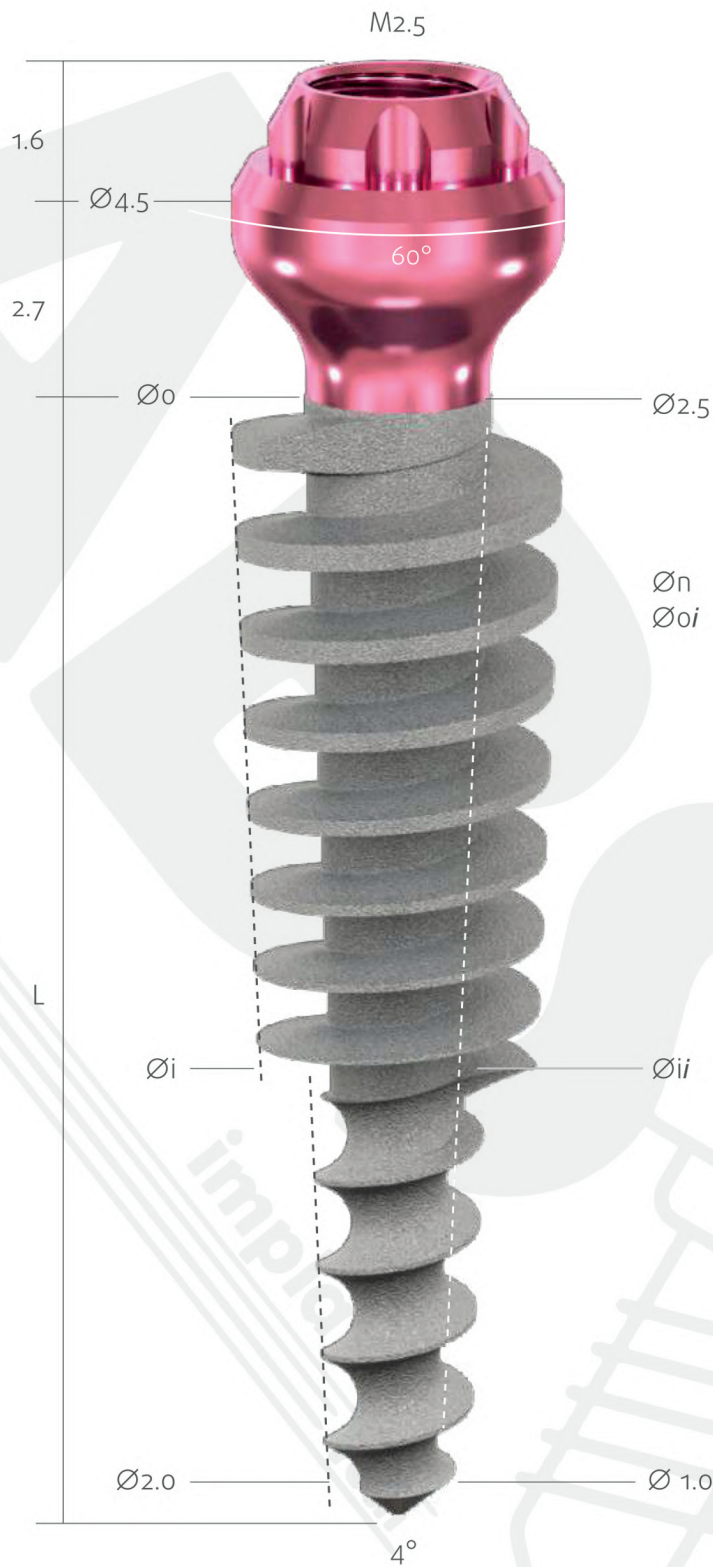


o - occlusal diameter (mm); i - intraosseous diameter (mm); a - apical diameter (mm); n - neck diameter;  
 $\alpha$  - total internal angle ( $^\circ$ ); s - intraosseous square area ( $\text{mm}^2$ ); i = internal.

# BASAL Implants











	6 mm	8 mm	10 mm	12 mm	14 mm	16 mm	18 mm	20 mm	22 mm	24 mm	26 mm
	ln 1.5	ln 3	ln 3	ln 3	ln 3	ln 5	ln 7	ln 7	ln 7	ln 7	ln 7
Ø 3.5	B3506	B3508	B3510	B3512	B3514	B3516	B3518	B3520	B3522	B3524	B3526
Ø <sub>i</sub> 3.1 Ø <sub>ii</sub> 1.6 Ø <sub>oi</sub> 1.4 n 2.05	s 76 a 18	s 57 a 13	s 73 a 6	s 92 a 5	s 105 a 5	s 117 a 5	s 140 a 4	s 164 a 3	s 183 a 3	s 203 a 2	s 226 a 2
											
Ø 4.5	B4508	B4510	B4512	B4514	B4516	B4518	B4520	B4522	B4524	B4526	
Ø <sub>i</sub> 4.2 Ø <sub>ii</sub> 2.0 Ø <sub>oi</sub> 1.7 n 2.35	s 82 a 13	s 105 a 6	s 137 a 5	s 151 a 5	s 166 a 5	s 201 a 4	s 239 a 3	s 268 a 3	s 299 a 2	s 335 a 2	
											
Ø 5.5	B5508	B5510	B5512	B5514							
Ø <sub>i</sub> 4.3 Ø <sub>ii</sub> 2.1 Ø <sub>oi</sub> 1.4 n 2.35	s 108 a 10	s 115 a 9	s 147 a 7	s 170 a 6							
											

# compressive MP Implants



o - occlusal diameter (mm); i - intraosseous diameter (mm); a - apical diameter (mm); n - neck diameter;  
 $\alpha$  - total internal angle (°); s - intraosseous square area (mm<sup>2</sup>); *i* = internal.

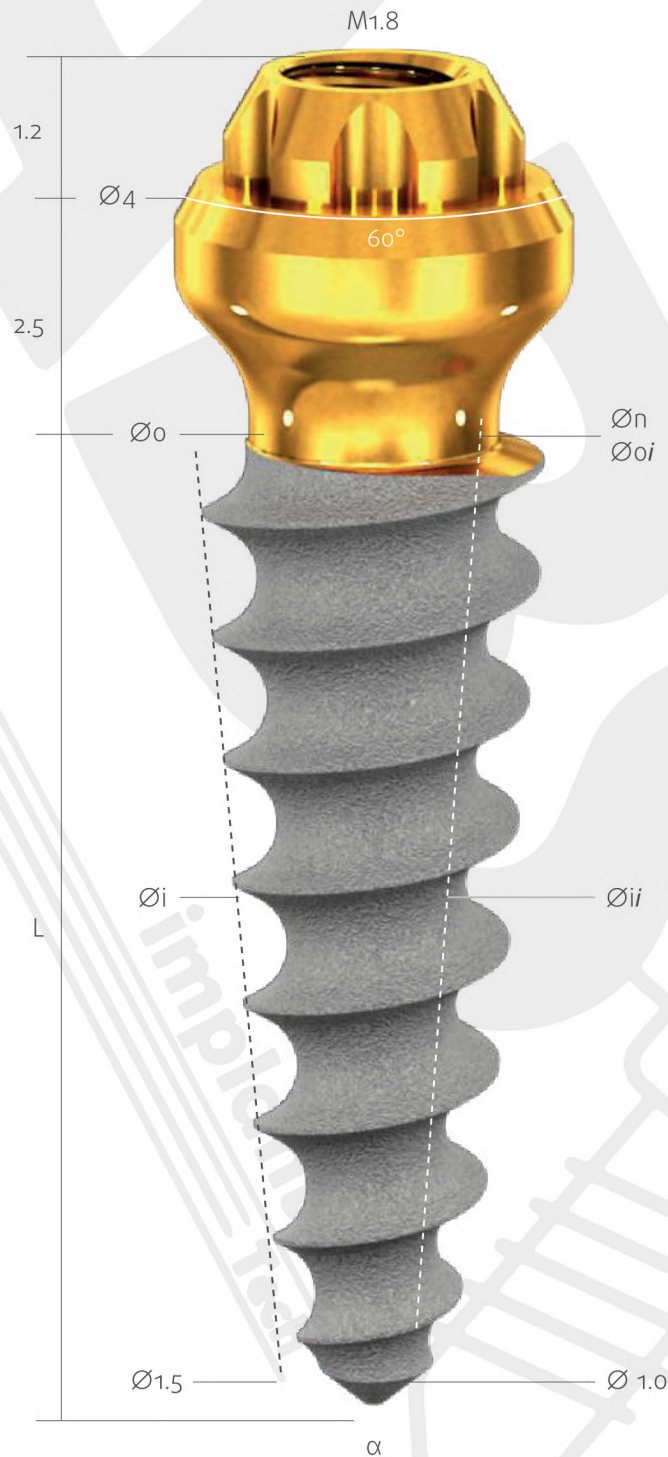
# compressive MP Implants

	16 mm	18 mm	20 mm	22 mm	24 mm	26 mm
Ø 3.5	C3516mp i 2.8 ih 1.7 s 175	C3518mp i 2.7 ih 1.7 s 175	C3520mp i 2.5 ih 1.5 s 198	C3522mp i 2.6 ih 1.5 s 220	C3524mp i 2.6 ih 1.5 s 248	C3526mp i 2.6 ih 1.5 s 297
						
Ø 4.5	C4516mp i 3.9 ih 1.8 s 256	C4518mp i 3.7 ih 1.7 s 293	C4520mp i 3.6 ih 1.5 s 332	C4522mp i 3.4 ih 1.4 s 369	C4524mp i 3.3 ih 1.2 s 402	C4526mp i 3.3 ih 1.3 s 443
						



# One platform multi - unit

## Compressive MS implants



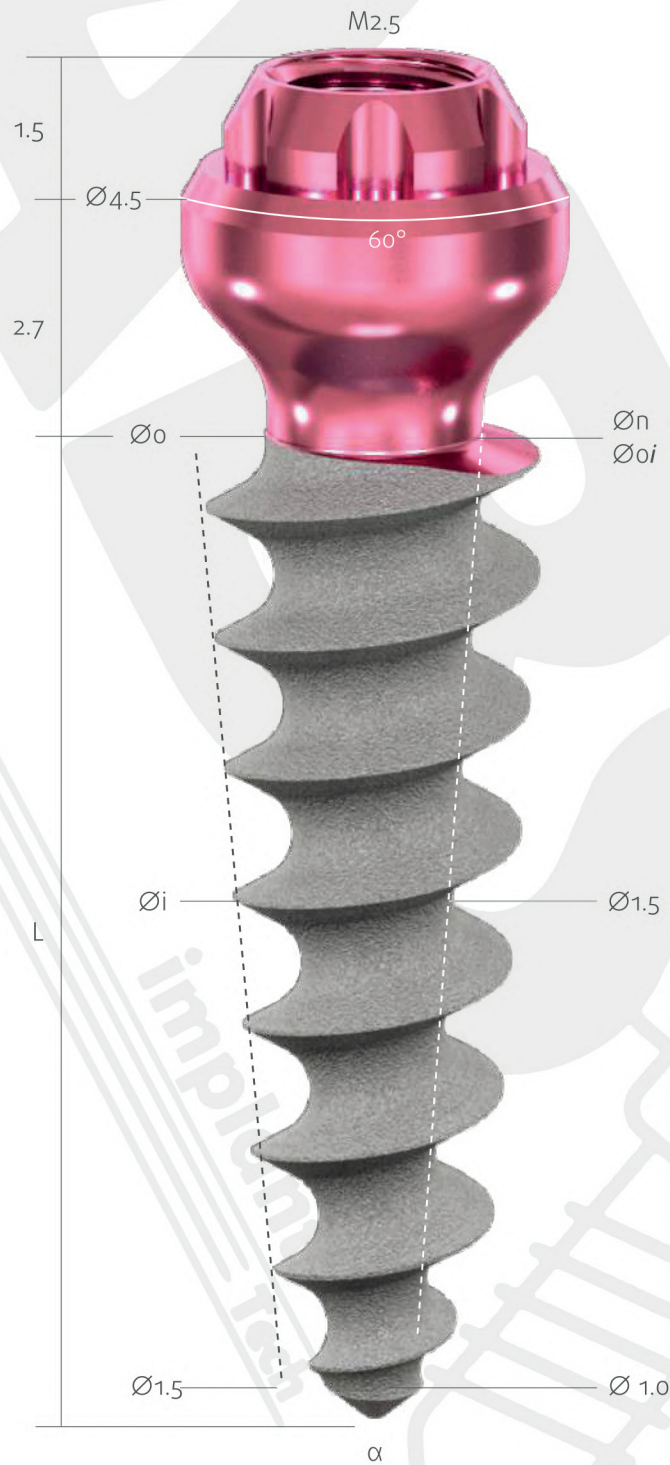
o - occlusal diameter (mm); i - intraosseous diameter (mm); a - apical diameter (mm); n - neck diameter;  
 $\alpha$  - total internal angle ( $^{\circ}$ ); s - intraosseous square area ( $\text{mm}^2$ ); i = internal.

# One platform multi - unit



# One platform multi - unit

## Compressive M implants



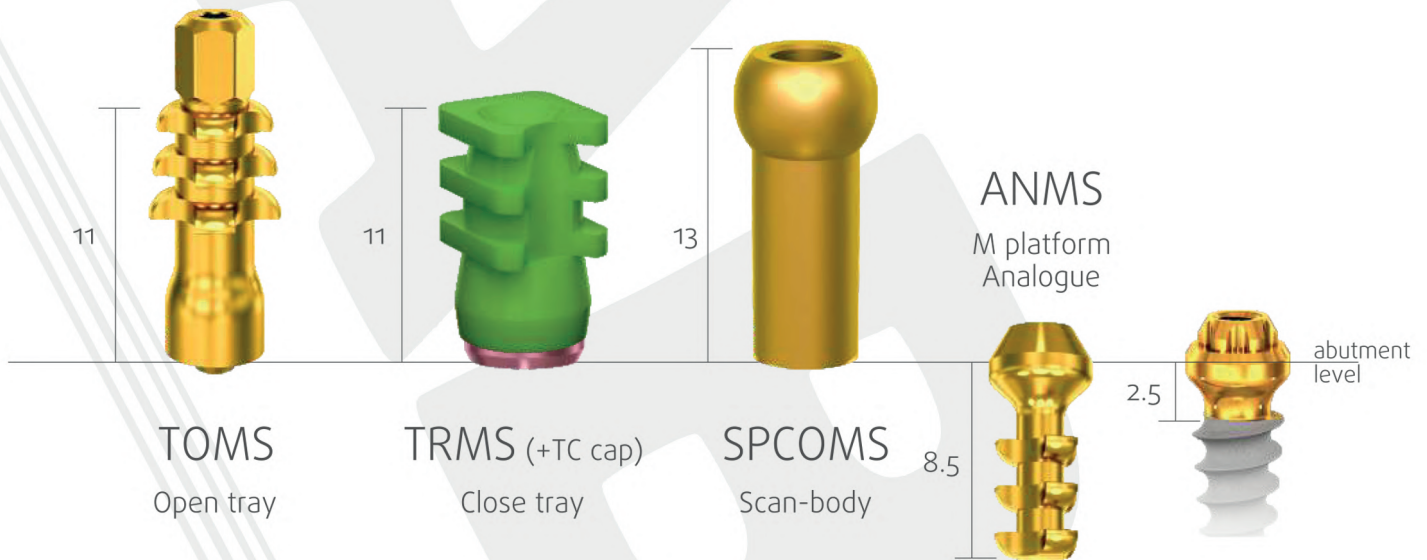
o - occlusal diameter (mm); i - intraosseous diameter (mm); a - apical diameter (mm); n - neck diameter;  
α - total internal angle (°); s - intraosseous square area (mm<sup>2</sup>); i = internal.

# Compressive M Implants

	6 mm	8 mm	10 mm	12 mm	14 mm	16 mm	18 mm	20 mm
Ø 3.0 Øi 2.5 n 2.05		C3008m s 62 a 8	C3010m s 79 a 6	C3012m s 95 a 5	C3014m s 112 a 4	C3016m s 128 a 4	C3018m s 145 a 3	C3020m s 161 a 3
Ø 3.5 Øi 2.8 n 2.05	C3506m s 54 a 15	C3508m s 72 a 11	C3510m s 91 a 9	C3512m s 109 a 7	C3514m s 127 a 6	C3516m s 146 a 6	C3518m s 163 a 5	C3520m s 182 a 5
Ø 4.0 Øi 3.3 n 2.55	C4006m s 63 a 15	C4008m s 86 a 11	C4010m s 108 a 9	C4012m s 130 a 7	C4014m s 152 a 6	C4016m s 174 a 6		
Ø 5.0 Øi 4.3 n 2.55	C5006m s 82 a 15	C5008m s 111 a 11	C5010m s 141 a 9	C5012m s 170 a 7	C5014m s 200 a 6			

# One platform multi - unit

## Transfers & analogue

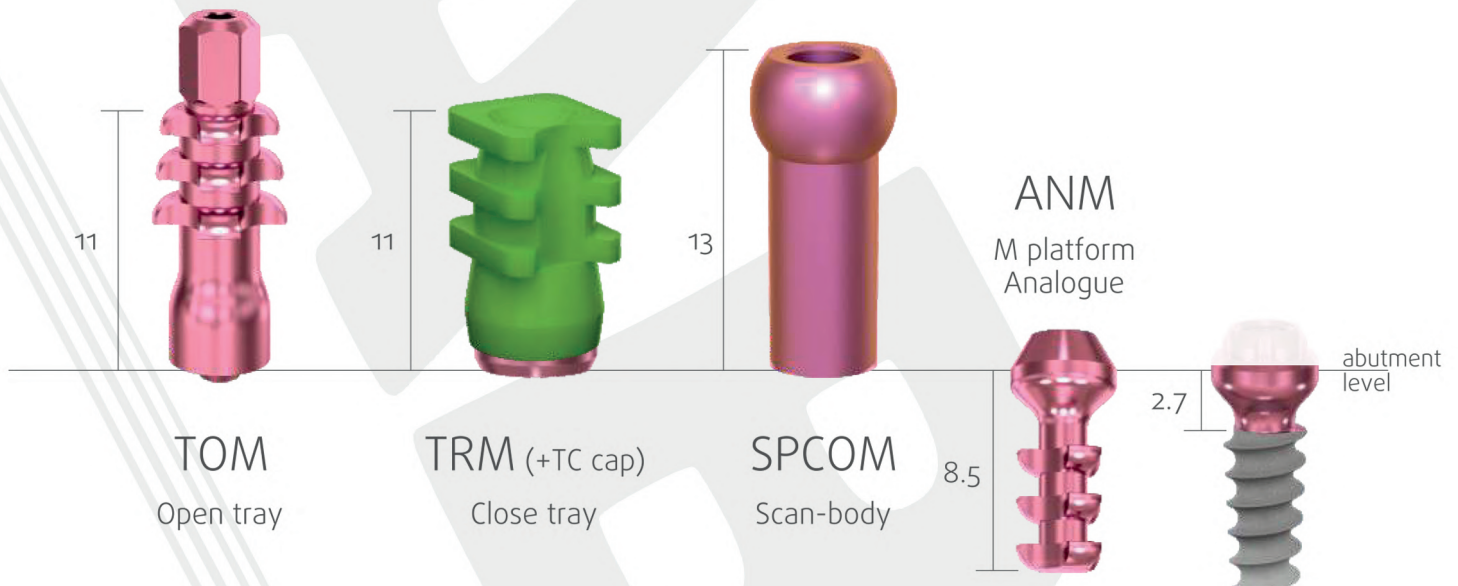


## Platforms & abutments



# One platform multi - unit

## Transfers & analogue

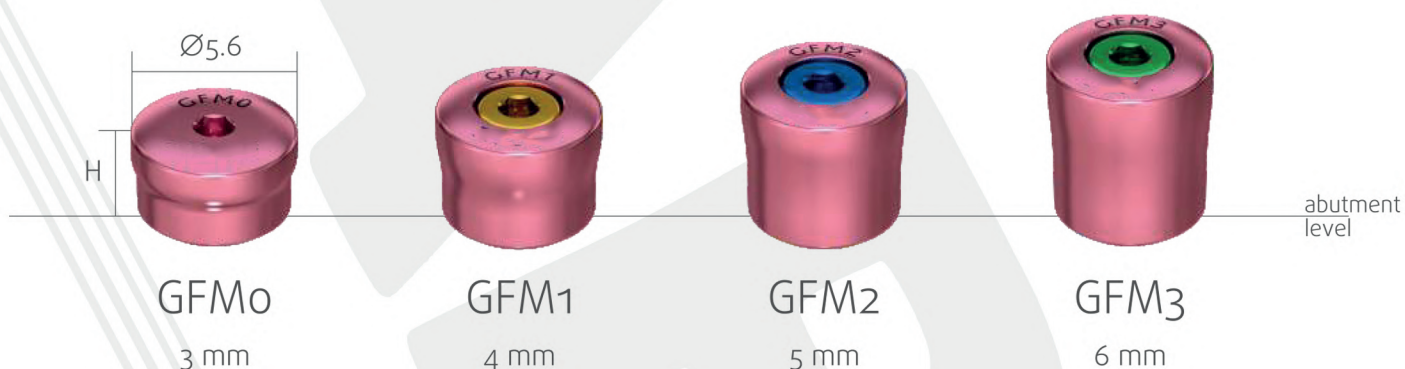


## Platforms & abutments



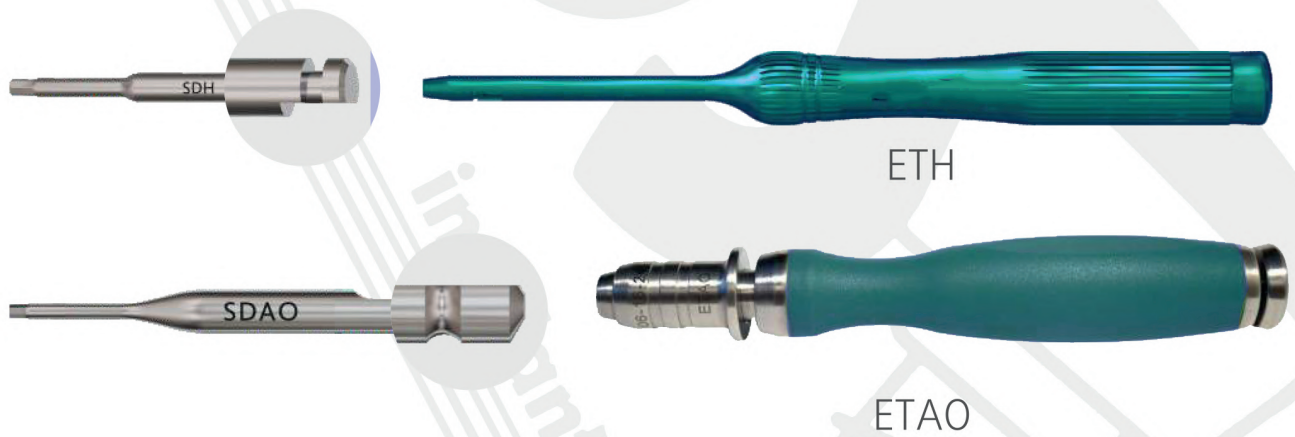
# One platform multi - unit

## Gingiva formers



Narrow

# Screwdrivers



Screw removal

Parallel pin

Extension tool



SR



P2



ET

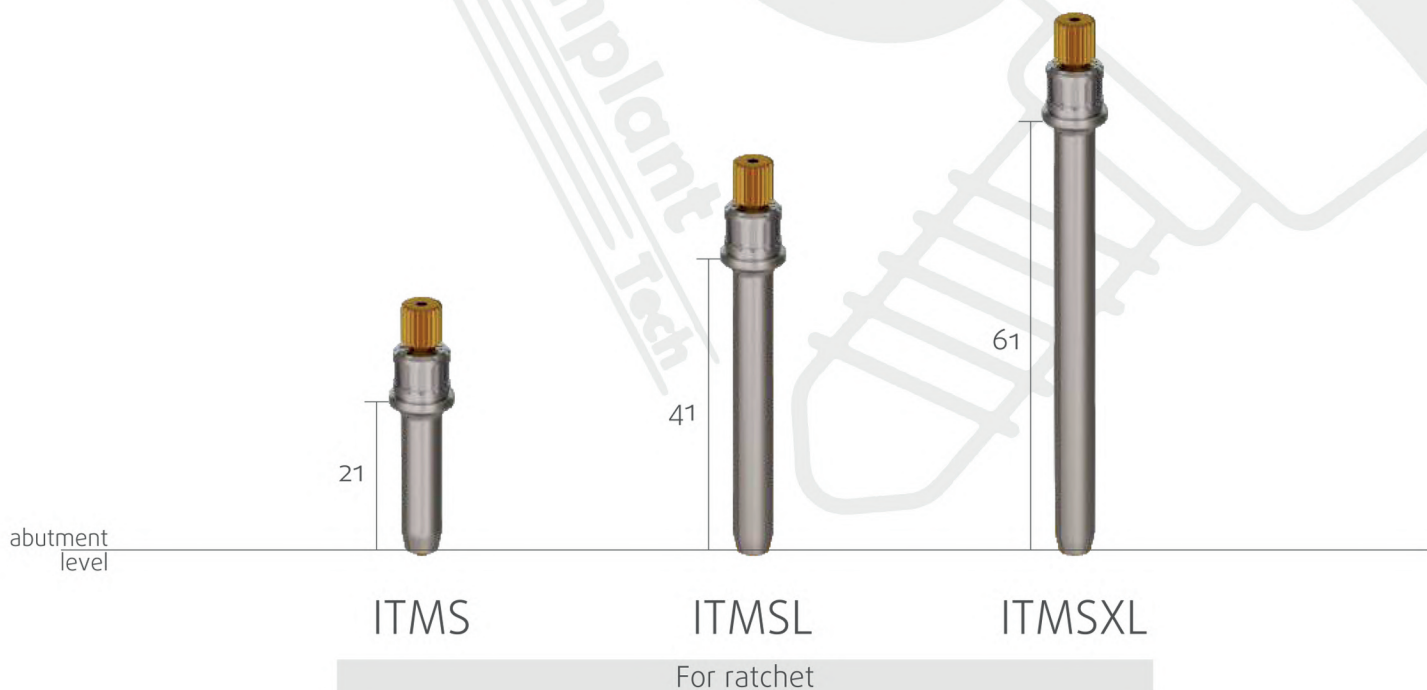


# Insertion tools

## M platform



## MS platform



# Compressive drills

DC55XX

6-14 mm



DC50XX

6-14 mm



DC45XX

6-20 mm



DC40XX

6-20 mm



DC35XX

6-20 mm



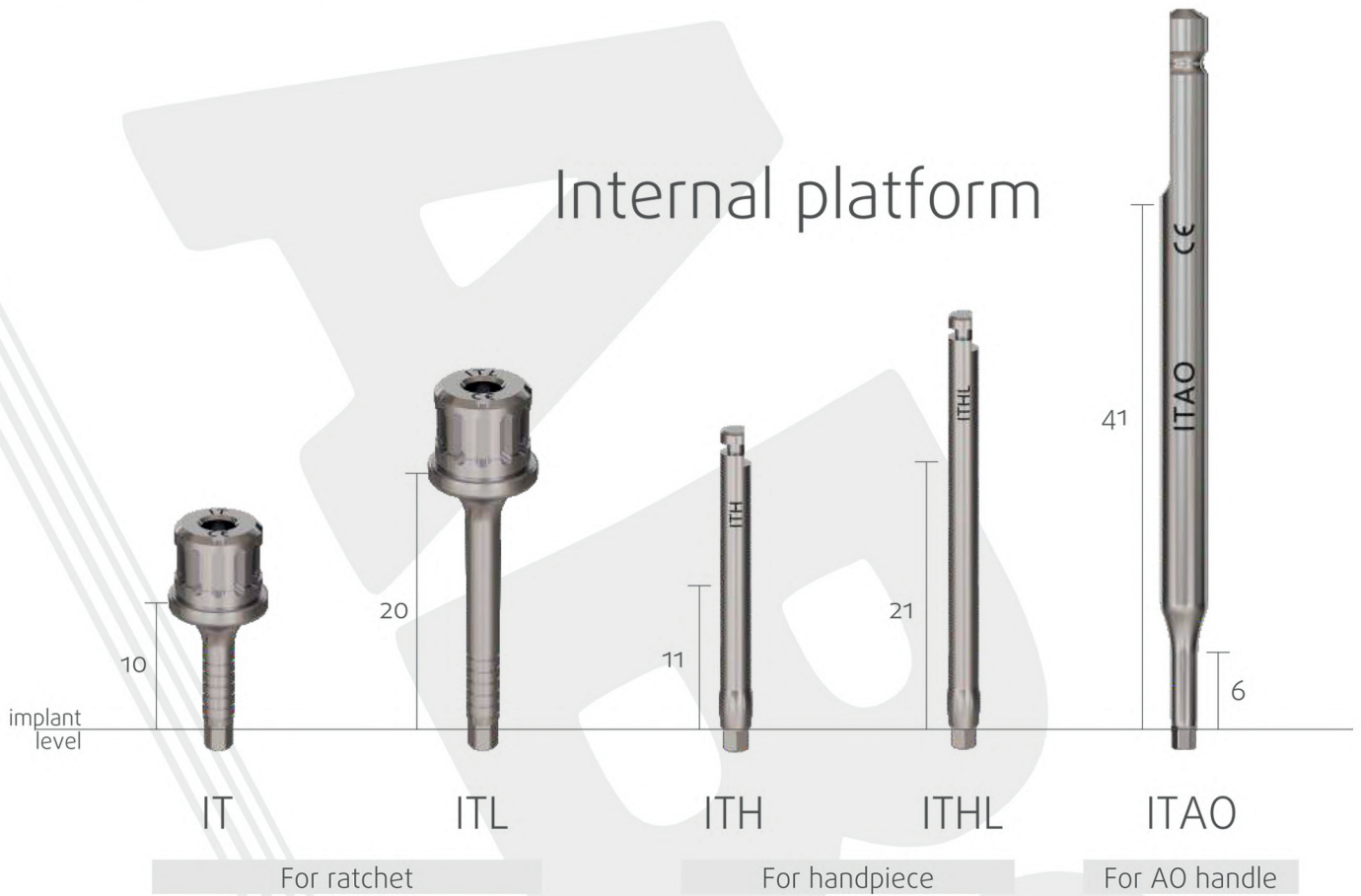
DC30XX

6-20 mm

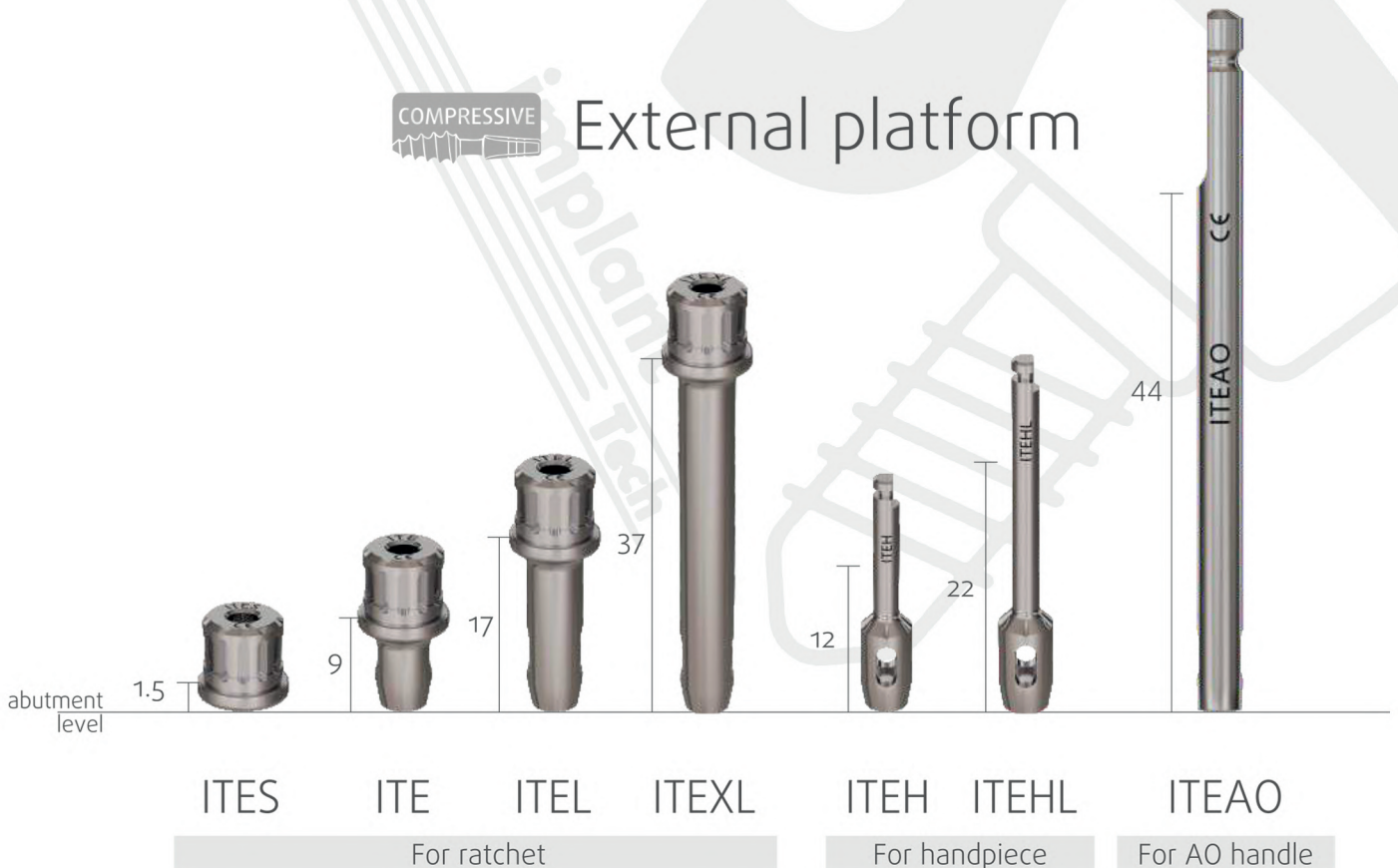


# Insertion tools

## Internal platform



## External platform



# Surgical Kit

Pilot drills

DB2020



D2020

Universal drills

D3516 (DSTEP1)



D5508 (DSTEP2)

Form drills

DC3516



DC5508

Insertion tools

ITE



IT



Hex driver

SDL



Removal tool

SR



Torque wrench

TW50



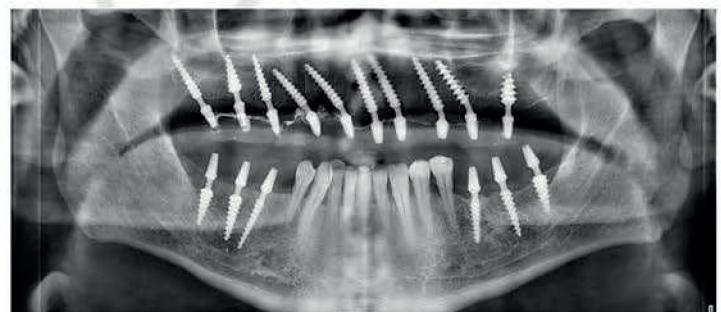
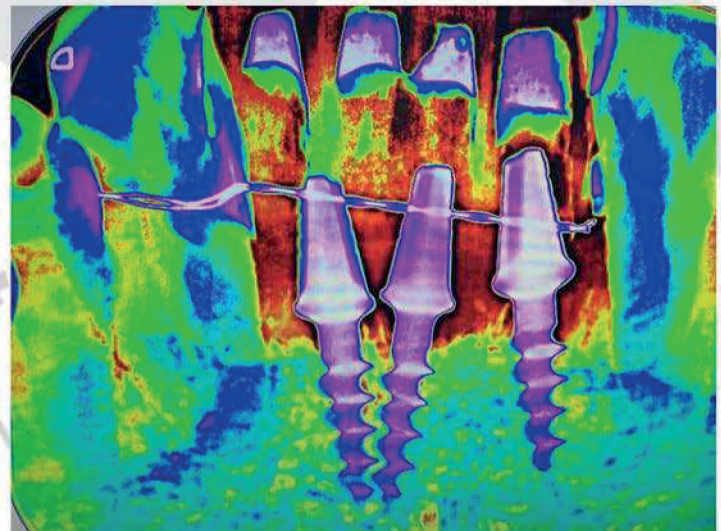
Implant Tech

# Applications

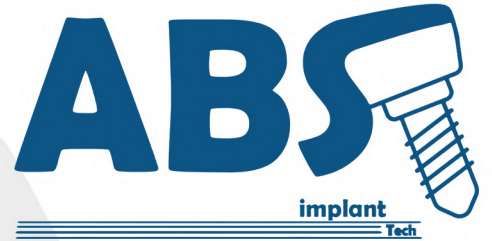
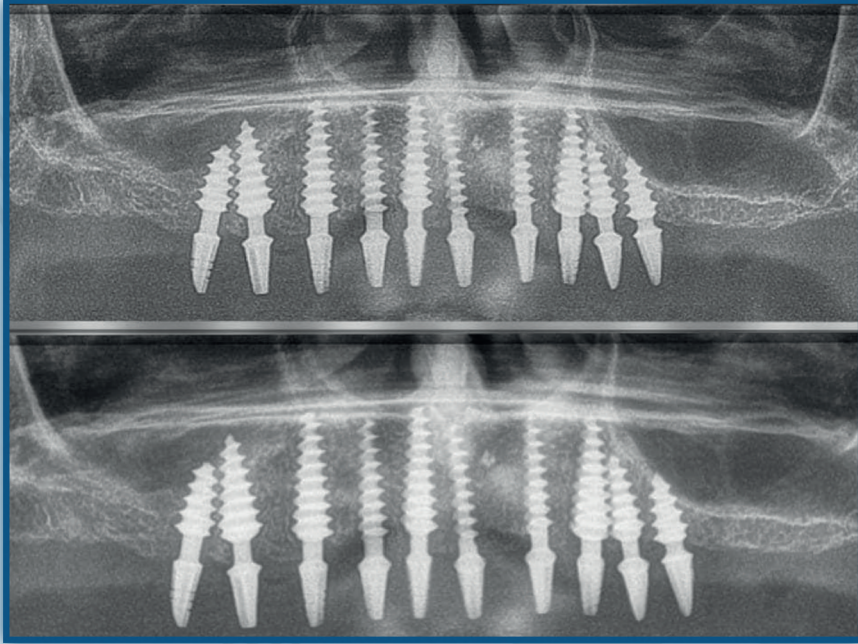
When we talk about immediate implants, the first thing that should come to our minds is little or no blood, and this picture is the biggest proof that ABS implants in this way.



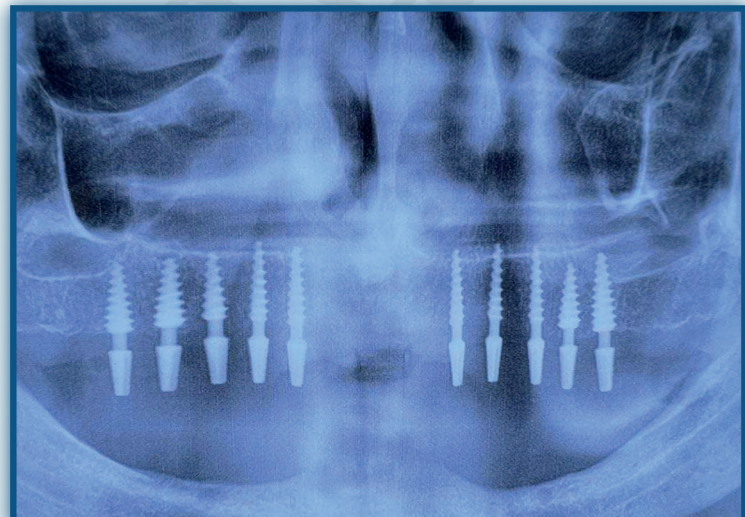
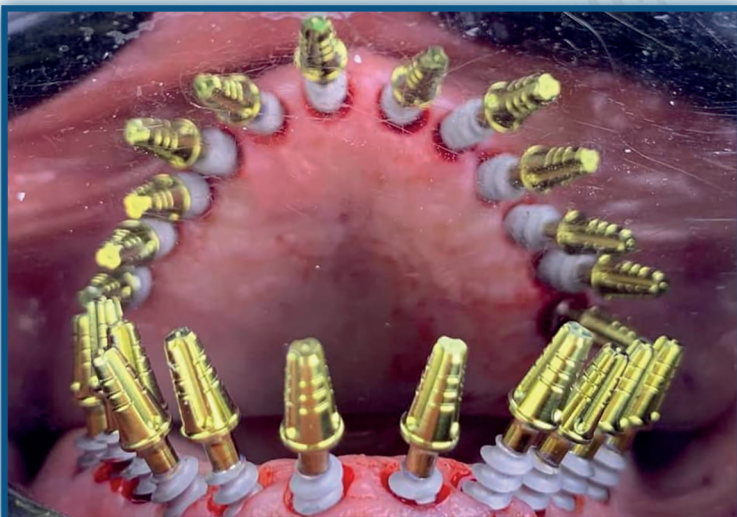
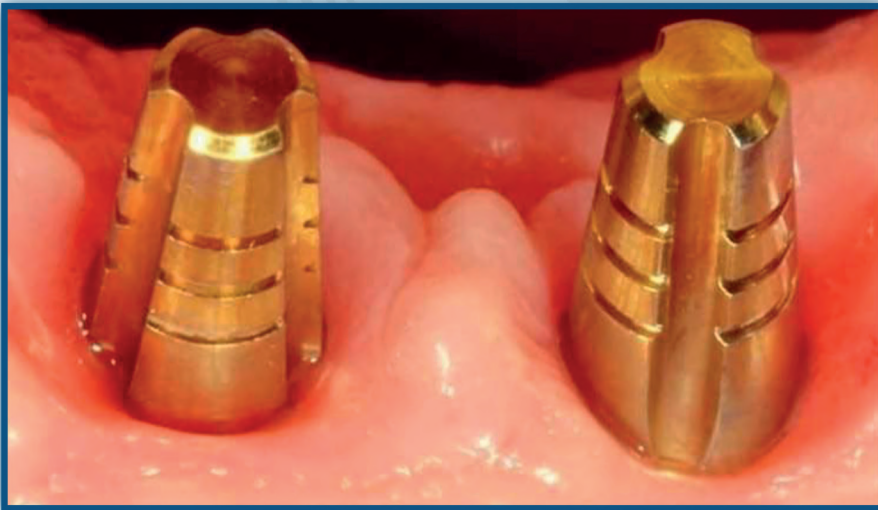
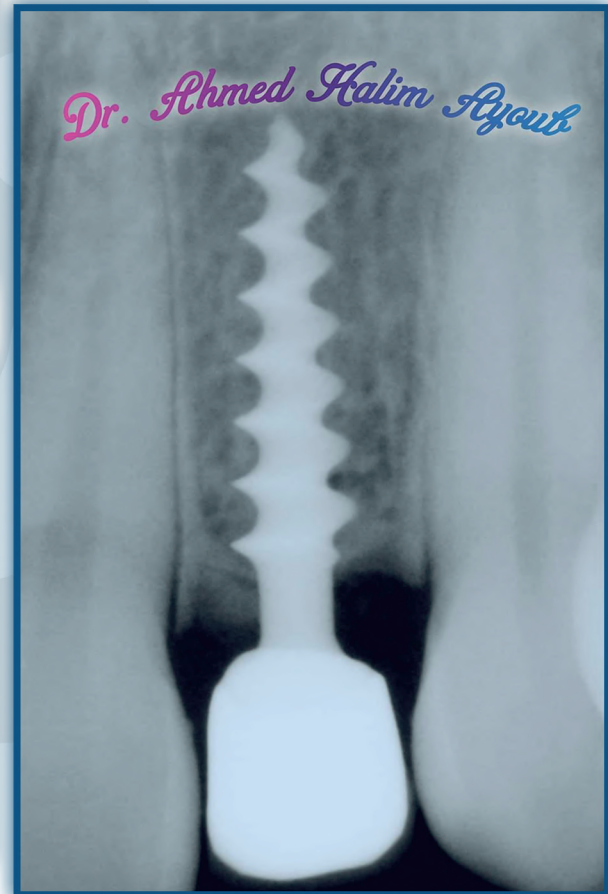
The 25 degree curvature is shown in this image



# Clinical Cases



*Dr. Ahmed Halim Ayoub*



# Why choose us ?

## 2 International quality certificates

A

**EC Certificate**  
**Full Quality Assurance System according to**  
**Medical Devices Directive 93/42/EEC Annex-II Section 3**  
Certificate Number: 1984-MDD-16-400

B



REPUBLIC OF TURKEY  
MINISTRY OF HEALTH

THE REPUBLIC OF TURKEY MINISTRY OF HEALTH  
TURKISH MEDICINES AND MEDICAL DEVICES AGENCY

Certificate No : 87771  
Date of Issue : 6 July 2020

CERTIFICATE OF FREE SALE

C

**EN ISO 13485:2016**

**5 German Titanium Grade**  
**Active SLA Surface**  
**Gamma and Ozone sterilization**  
**Nano Technology which helps to**  
**quick Osseo integration**

# Contact Information

We work in the field of manufacturing dental implants, with high quality and accurate Swiss bales, and we work hard to make our .implants the best



+905559829441



info@absimplant.com



www.absimplant.com



+905559829441



@absimplants




@absimplants



@absimplants



# ABS



implant

Tech

